

Transformable System TELEMACO

Model Telemaco 90 and Telemaco 120

Tilting bed available in two widths, with slatted base, vertical opening system, integrated or free standing. Telemaco is available also with a frontal table that disappears thanks to a tilting movement while the bed falls down, or with stuffed relax element that remains underneath the net when the bed is open.

The opening system is composed by lateral hooks located between the side and the panel. During the opening movement, two metal feet come out the bed base becoming a support for the bed.

TECHNICAL INFORMATION

Opening mechanism by gas springs

Wooden Structure with adjustable nylon feet.

Slatted bed base with frame in tubular reinforced iron and multilayer bent beech wood slats, fixed to the frame with nylon/rubber gaskets.

Mattress locking belts in nylon with fastener in black nylon

Available Finishes : structure : Melamine Bianco Dover, Melamine Whited / Graphite Oak, embossed lacquers in Clei colours.

front panel : Melamine Bianco Dover, Melamine Whited / Graphite Oak, embossed Lacquers in Clei colours, Wood Whited/Graphite Oak.

Back panels always in Melamine Bianco Dover.

Stuffed headboard fixed to the back panel by press-buttons and washable as per label on the fabric.

INSTALLATION AND SAFETY

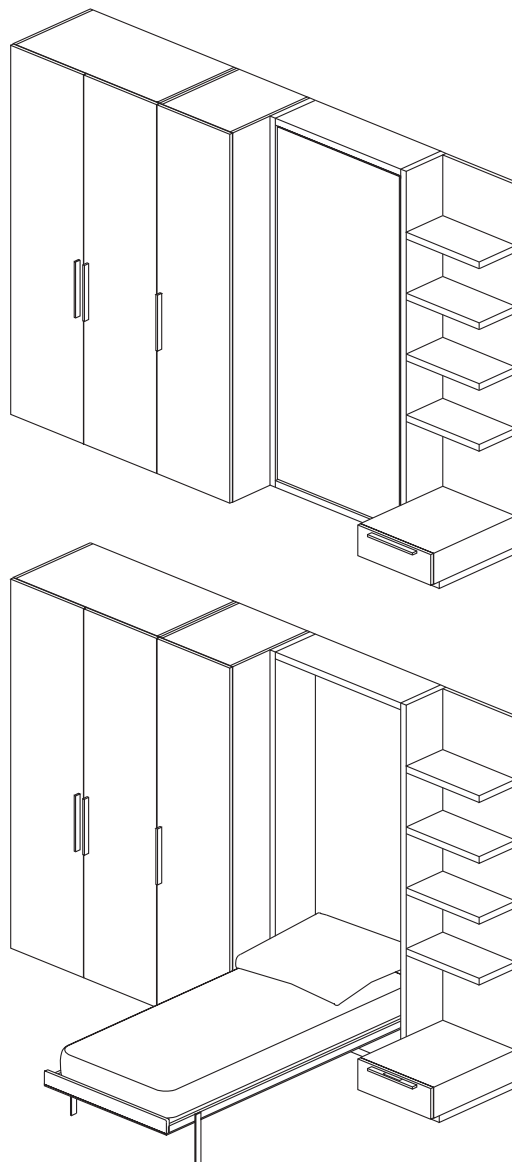
Model Telemaco is supplied completely unassembled. The easy installation is supported by proper instructions.

It is compulsory to fix them to the wall, in four fixing points, with proper squares and the couple nut-bolt with a diameter not lower than 6 mm and according to the assembling instructions..

REMARK : A plasterboard wall does not guarantee a firm fixing.

The opening system is fixed to the structure with gears that remain perfectly tight in both the day and night positions.

Maximum weight supported by the bed : kg. 200



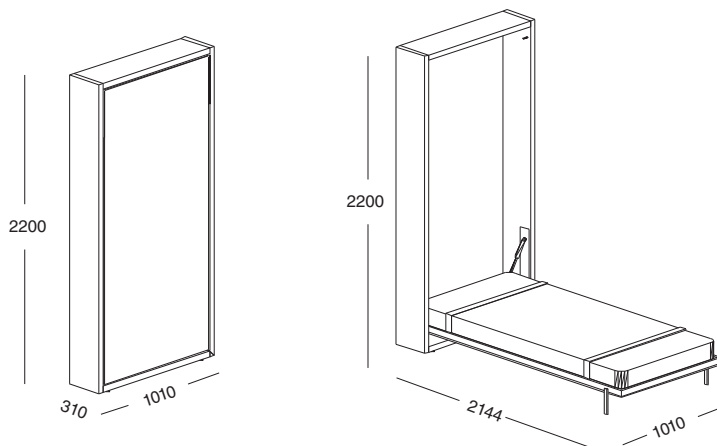
TELEMACO 90

TELEMACO 90

Vertical tilting single bed

Dimensions :

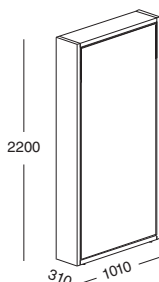
- Closed mm. 2200 x 1010 x 310
- Open mm. 2200 x 1010 x 2144
- Height of bed base from floor mm. 920x600x22
- Height of table from floor mm. 737
- Single mattress mm. 1970 x 850 x 18



THIS MODEL MUST BE FIXED TO THE WALL

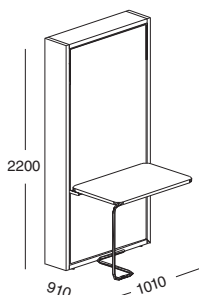
N.B.: Prices in the box do not include mattress.

TELEMACO

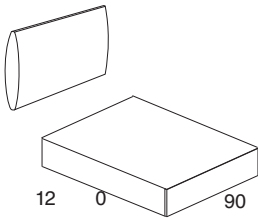


TELEMACO90	Code	Melamine White	Mel.Wh/Gr Oak	Lacquered	Wood.Wh/Gr./Tob. Oak	Glossy Dialux
Structure	TEL90ST					
Front panel	TEL90FA					
TOTAL						

TELEMACO WITH TABLE



TELEMACO90T	Code	Melamine White	Mel.Wh/Gr Oak	Lacquered	Wood.Wh/Gr./Tob. Oak	Glossy Dialux
Structure	TEL90ST					
Front panel	TEL90FA					
Table	TEL90TA					
TOTAL						

Description	Dimens.	Finishes	Code	Price
Stuffed single Headboard	Needed fabric mt. 1,40 in W. 140 cm	Fabric cat. 1 Fabric cat. 2 Customer fabric	TSTESUK1 TSTESUK2 TSTESCUK	
Single mattress	L. 1970 W. 850 Th. 180	UK mattress	MPOPUK	
Single coverlet	Needed fabric mt. 3 in W. 140 cm	Fabric cat. 1 Fabric cat. 2 Customer fabric	CSTSUK1 CSTSUK2 CSTSCUK	
Stuffed element 	back cushion In feather (fabric.mt.1,40)	Fabric cat. 1 Fabric cat. 2 Customer fabric	PCTUK1 PCTUK2 PCTCUK	
	Seat cushion In foam (fabric.mt.3,00)	Fabric cat. 1 Fabric cat. 2 Customer fabric	PSTUK1 PSTUK2 PSTCUK	

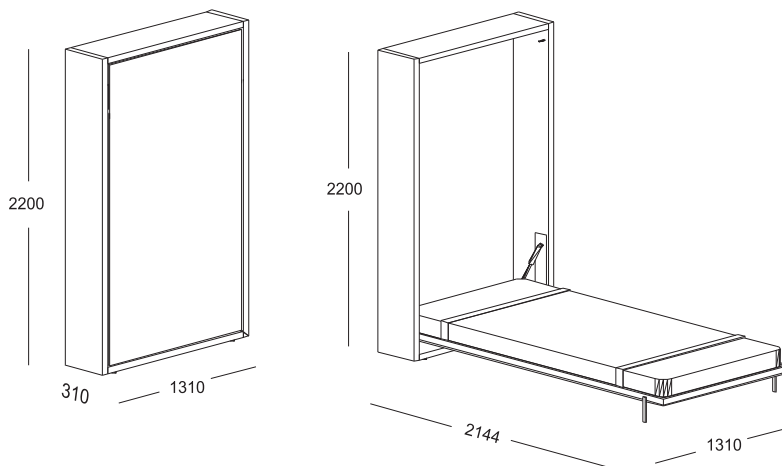
TELEMACO 120

TELEMACO 120

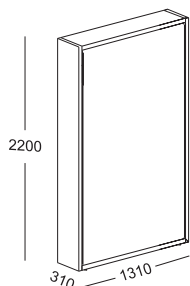
Vertical tilting intermediate bed

Dimensioni:

- Closed mm. 2200 x 1310 x 310
- Open mm. 2200 x 1310 x 2144
- Height of bed base from floor mm. 307
- Intermediate mattress mm. 1970 x 1150 x 180
- Table top mm. 1220 x 600 x 25

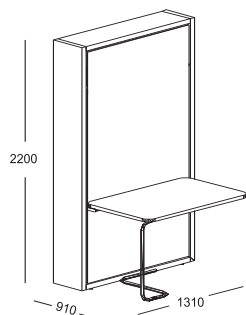


TELEMACO 120

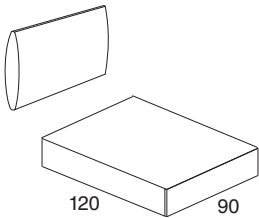


TELEMACO120	Code	Melamine White	Mel Wh/ Gr Oak	Lacquered	Wood Wh/ Gr./Tob.Oak
Structure	TEL120ST				
Front panel	TEL120IFA				
TOTAL					

TELEMACO 120 WITH TABLE



TELEMACO120T	Code	Melamine White	Mel Wh/ Gr Oak	Lacquered	Wood Wh/ Gr./Tob.Oak
Structure	TEL120ST				
Front panel	TEL120FA				
Table	TEL120TA				
TOTAL					

Description	Dimens.	Finishes	Code	Price
Intermediate stuffed Headboard	Needed fabric mt. 1,6 in W. 140 cm	Fabric cat. 1 Fabric cat. 2 Customer fabric	TPTEIUK1 TPTEIUK2 TPTEICUK	
Intermediate mattress	L. 1970 W. 1150 Th. 180	UK mattress	MINVUK	
Intermediate coverlet	Needed fabric mt. 5 in W. 140 cm	Fabric cat. 1 Fabric cat. 2 Customer fabric	CSTSUK1 CSTSUK2 CSTSCUK	
Stuffed element 	back cushion In feather (fabric.mt.1,40) Seat cushion In foam (fabric.mt.3,00)	Fabric cat. 1 Fabric cat. 2 Customer fabric	PCTUK1 PCTUK2 PCTCUK	
		Fabric cat. 1 Fabric cat. 2 Customer fabric	PSTUK1 PSTUK2 PSTCUK	